

marantz®

Model LN9101M Installation Guide

Anamorphic Lens System

The lightning flash with arrowhead, within an equilateral triangle, is intended to alert the user to the presence of uninsulated "dangerous voltage" within the product's enclosure that may be of sufficient magnitude to constitute a risk of electric shock to persons.



AVIS RISQUE DE CHOC ELECTRIQUE - NE PAS OUVRIR.

The exclamation point within an equilateral triangle is intended to alert the user to the presence of important operating and maintenance (servicing) instructions in the literature accompanying the appliance.


WARNING - TO REDUCE RISK OF FIRE OR ELECTRICAL SHOCK, DO NOT EXPOSE THIS EQUIPMENT TO RAIN OR MOISTURE.

NO USER-SERVICEABLE PARTS INSIDE. REFER SERVICING TO QUALIFIED PERSONNEL.

To prevent the risk of electric shock, do not remove cover or back. No user-serviceable parts inside.

IMPORTANT SAFETY INSTRUCTIONS!

PLEASE READ THEM BEFORE OPERATING THIS EQUIPMENT.

1. Read these instructions.
2. Keep these instructions.
3. Heed all warnings.
4. Follow all instructions.
5. Do not use this apparatus near water.
6. Clean only with a dry cloth.
7. Do not block any ventilation openings. Install in accordance with the manufacturer's instructions.
8. Do not install near any heat sources such as radiators, heat registers, stoves, or other apparatus (including amplifiers) that produce heat.
9. Do not defeat the safety purpose of the polarized or grounding-type plug. A polarized plug has two blades with one wider than the other. A grounding type plug has two blades and a third grounding prong. The wide blade or the third prong are provided for your safety. If the provided plug does not fit into your outlet, consult an electrician for replacement of the obsolete outlet.
10. Protect the power cord from being walked on or pinched particularly at plugs, convenience receptacles, and the point where they exit from the apparatus.
11. Only use attachments/accessories specified by the manufacturer.
12. Use only with the cart, stand, tripod, bracket, or table specified by the manufacturer, or sold with the apparatus. When a cart is used, use caution when moving the cart/apparatus combination to avoid injury from tip-over. 
13. Unplug this apparatus during lightning storms or when unused for long periods of time.
14. Refer all servicing to qualified service personnel. Servicing is required when the apparatus has been damaged in any way, such as power-supply cord or plug is damaged, liquid has been spilled or objects have fallen into the apparatus, the apparatus has been exposed to rain or moisture, does not operate normally, or has been dropped.
15. Do not expose this equipment to dripping or splashing and ensure that no objects filled with liquids, such as vases, are placed on the equipment.
16. To completely disconnect this equipment from the a.c. mains, disconnect the power supply cord plug from the a.c. receptacle.
17. The mains plug of the power supply cord shall remain readily operable.
18. Do not expose batteries to excessive heat such as sunshine, fire or the like.

ADDITIONAL SAFETY INSTRUCTIONS!

WARNING:

THERE IS A POSSIBILITY OF SERIOUS INJURY IF YOU DO NOT FOLLOW THESE INSTRUCTIONS.

When mounting the projector to a building structure, it is important to follow all of the local building/construction codes. The total weight of the Marantz VP-11, LN9101M Anamorphic Lens System and MT20/EXT10 Mounting Brackets is 80 lbs (36.29 kg). Make sure the ceiling structural members can support five times the total weight, which is 400 lbs (181.44 kg).

Proper installation procedure by qualified personnel as outlined in this installation guide is required. It is recommended that the Professionals at your Marantz Dealer, who are skilled in all aspects of installation and operation, install the Marantz Video System and any associated audio equipment.

It is important to read this LN9101M Installation Guide and the VP-11 User Guide before starting the installation process. The instructions in this Installation Guide must be adhered to as failure to do so could result in serious injury.

To prevent possible damage to the Lens Assemblies, DO NOT at any time attempt to LIFT, CARRY or RE-ORIENT the equipment using the Lens.

- A. Do not remove the cover from the equipment.
- B. Do not remove lens covers until instructed to do so.
- C. Do not insert anything into the equipment through the ventilation holes.
- D. Do not handle the mains lead with wet hands.
- E. No naked flame sources, such as lighted candles, should be placed on the equipment.
- F. Do not look into the lens when the projector is turned on. It could damage your eyesight.
- G. When disposing of used batteries, please comply with governmental regulations or environmental public instructions rules that apply in your country or area.

Technical Assistance

If at any time you have questions about your Marantz product, contact your Marantz Dealer who is familiar with your Marantz equipment and any other brands that may be part of your system. If you or your Dealer wish additional help concerning a suspected problem, you can receive technical assistance for all Marantz products at:

Marantz America, Inc.
100 Corporate Drive
Mahwah, N.J. 07430-2041

Tech & Operational Support hours:

9:00 AM to 5:00 PM ET, M-F

Tel. 800-654-6633 Toll Free

Tel. 201-762-6666

Fax. 201-762-6687 Parts

Customer Service

If it is determined that your Marantz product is in need of repair, you can return it to your Dealer. You can also return it to the Marantz Service Department. For assistance on factory repair return procedure, contact the Marantz at:

Marantz America, Inc.
100 Corporate Drive
Mahwah, N.J. 07430-2041

General Office hours:

8:30 AM to 5:30 PM ET, M-F

Tel. 201-762-6500

Fax. 201-762-6670

Table of Contents

Safety Instructions	2
Thank You and Please Take a Moment	2
Technical Assistance and Customer Service	2
Table of Contents.....	3
Important, Connector and Cable Information	4
Dimensions	5
Installation Overview	5
Installation	5-9
Alignment	9
Specifications	10
Warranty	11

Important Information

CAUTION: The lenses contained in this product are extremely delicate precision optics, and may be scratched or otherwise damaged by physical contact with external objects of any kind. It is therefore essential to avoid any such contact, or any other mistreatment of the lenses. Scratches or other externally caused damage to lenses that are deemed to have arisen through neglect or misuse, are excluded from protection under the Marantz Limited Warranty.

1. The LN9101M Power Supply Adapter should not be connected to the LN9101M Motorized Sled or to the AC Power Wall Outlet until the physical mounting of the Marantz VP-11, LN9101M Anamorphic Lens System and MT20/EXT10 Mounting Brackets is completed.
2. For additional connection information, refer to the owner's manual(s) for any component(s) connected to the LN9101M Anamorphic Lens System.
3. The LN9101M Anamorphic Lens is designed to produce the best possible images when a curved Anamorphic Projection Screen is used, contact your Marantz Dealer for additional information.
4. The Anamorphic Lens is a precision optical device with special coatings just like you would find on Professional Cameras. In the event the Lens requires cleaning to remove airborne particles such as dust and dirt from the Lens, use a safe cleaning product such as a clean and dry 3M™ Scotch-Brite® Microfiber Lens Cleaning Cloth. At no time should ordinary household cleaning products be used to clean the Lens, as damage will occur.
5. To protect the lens surfaces from accidental damage during the installation process DO NOT REMOVE THE LENS COVERS UNTIL INSTRUCTED.

6. The LN9101M Motorized Sled uses bearings made from specialized permanently lubricated materials. Keep the rail linear bearing clean, dry, and contaminant free. Do not apply any lubricants to the Motorized Sled as this will gum up the mechanism and possibly produce a film on the projector and anamorphic lenses.

In case the LN9101M Sled is accidentally soiled (i.e. spilled soda), clean all contaminants with distilled water first and allow it to dry. Then wipe it down with denatured alcohol. The LN9101M should never be operated unless the mechanism is completely dry, as it relies upon clean and dry rails to operate smoothly.

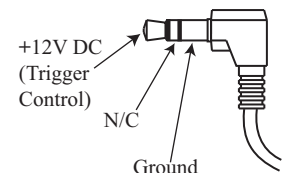
7. The assembly and adjustment of LN9101M/EXT10/MT20 will require a Phillips head screw driver, adjustable wrench, 5/32 and 3/16 allen tools.
8. When the symbol illustrated here is located on the product or on the packaging, it indicates the product must not be disposed of with your other household waste. Instead, it is your responsibility to dispose of your waste equipment by handing it over to a designated collection point for the recycling of waste electrical and electronic equipment. The separate collection and recycling of your waste equipment at the time of disposal will help to conserve natural resources and ensure that it is recycled in a manner that protects human health and the environment. For more information about where you can drop off your waste equipment for recycling, please contact your local city office, your household waste disposal service or the Marantz Dealer where you purchased the product.



Connector and Cable Information

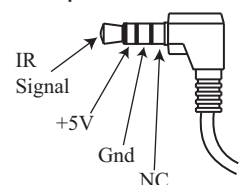
Trigger Connectors

The LN9101M Trigger In/Out Jacks Receive/Send a +12VDC Signal to Activate/Deactivate the Anamorphic Lens. A 1/8 inch (3.5mm) stereo mini phone plug is used for connections.



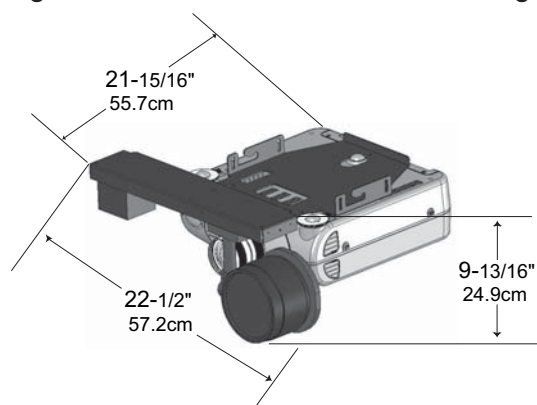
IR Connectors

The LN9101M IR In Port uses a 2.5mm quad mini phone plug and allows connection of other brand IR Receivers to the LN9101M.



Dimensions

The following dimensions can assist in determining the best location for the combination of the Marantz VP-11 and the LN9101M Anamorphic Lens System.



Installation Overview

The LN9101M Anamorphic Lens System is designed to mount together with the Marantz VP-11 onto the ceiling of a typical room. Before choosing the location on the ceiling, it is important to first read the "Installation" section of the VP-11 User Guide.

Some of the brackets from the Marantz MT20 (optional ceiling mounting bracket) will be used to mount the combination of the projector and LN9101M to the ceiling. In some installations the EXT10 bracket will also be used (optional extension pole kit).

This installation guide includes the assembly instructions from the MT20 and EXT10 Installation Guides for easier installation. The LN9101M/MT20/EXT10 were designed and manufactured to meet strict quality and safety standards. There are however, some installation and operation precautions which you should be particularly aware of:

1. Read instructions - All the safety and operating instructions should be read before the products are used.
2. Retain instructions - The safety and operating instructions should be retained for future reference.
3. Heed warnings - All warnings on the products and in the instructions should be adhered to.
4. Follow instructions - All installation instructions should be followed.
5. Use only the parts provided with the mount, along with any parts (commercially available) that are specified in these instructions.
6. Do not modify the mount or the parts provided with the MT20/EXT10/LN9101M.
7. Do not use damaged parts. If any parts become damaged, contact your Marantz Dealer or Marantz.
8. All bolts and screws must be tightened securely when instructed to do so.
9. After the projector mounting plate is attached to

the projector make sure not to block any additional ventilation openings.

10. Special techniques and experience are required when installing the projector with the MT20/EXT10/LN9101M. Contact your Marantz Dealer to install the projector for you.
11. Once the projector is installed, periodic safety checks of the rigidity of the MT20 Mounting Brackets, EXT10 Extension Pole, LN9101M Anamorphic Lens System and the VP-11 to the ceiling along with secure fastening of all hardware should be conducted on a regular basis.

EXT10 Assembly

After reading the "Installation" Section of the VP-11 User Guide and it has been determined the EXT10 Extension Pole will be needed to meet the requirements of location and ventilation for the Projector, assemble the EXT10 by performing the steps below. If the EXT10 will not be needed, proceed to the MT20 Assembly on page 7.

Note: The EXT10 hardware, fasteners and parts list are located in a separate shipping carton from the projector.

1. The EXT10 is adjustable from 43-3/4 inches to 24 inches as supplied. If the default range is acceptable proceed to Step 3. The adjustable range may be changed to 24 inches to 14-5/8 inches by cutting both poles. When the installation requires the 24 inches to 14-5/8 inches range proceed to Step 2.
2. Cut the Outside Pole to 13-3/8 inches from the end the mounting plate will be attached. Cut the Inside Pole to 13-3/4 inches from the end the mounting plate will be attached. Refer to figure 1.

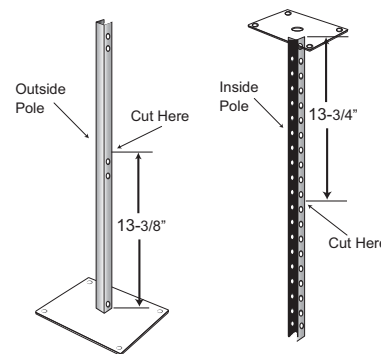


Figure 1

3. Attach the Bottom Mounting Plate (the flange with the wider space) to the Outside Pole with two Round Head Philips 1/4-20 x 3/8 Screws. In a similar manner, attach the remaining Plate to the Inside Pole. Refer to figure 2.
4. Assemble the Pole Pieces together making sure to orient them as illustrated in figure 3 on the next page.

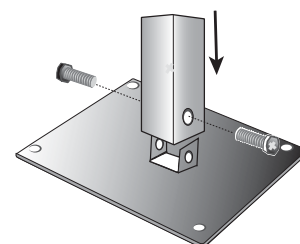


Figure 2

EXT10 Assembly, con't

Set the Pole Pieces to the desired length and secure the position using the two Round Head Phillips 1/4-20 x 2-1/4 Screws and two 1/4-20 Lock Nuts. Refer to figure 3.

5. Tighten all the recently install hardware and proceed to assemble the LN9101M.

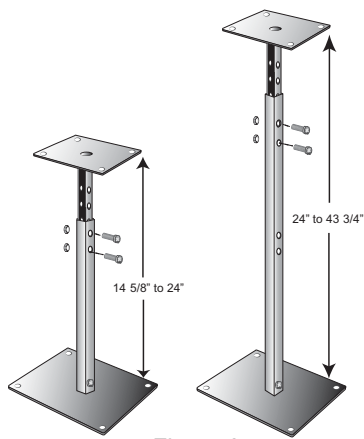


Figure 3

LN9101M Assembly

Assemble the LN9101M by performing the steps below:

1. Locate Plate #4 and the Top Adjustment Plate from the LN9101M shipping carton and orient it as shown. Refer to figure 4A and 4B.



Figure 4A

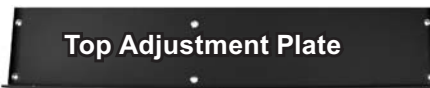


Figure 4B

Note: Plate #4 supplied with the MT20 Ceiling Mount Bracket Kit will not be used.

2. Orient the LN9101M Sled, Plate 4 and the Top Adjustment Plate as illustrated in figure 4C. Secure it using six 1/4-28x1/2 machine screws and tighten them with the supplied Hex Wrench. Refer to figures 5 and 6.

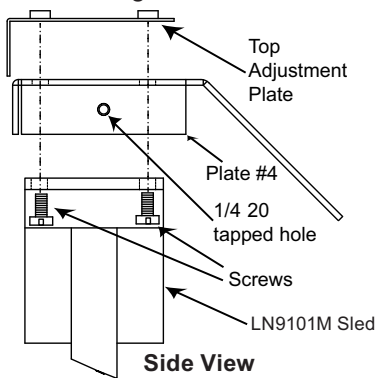


Figure 4C

3. Locate the Lens Holder Assembly from the shipping carton and orient it as shown in figure 7. Using the appropriate tool, loosen the two hex head screws located either side of center on the Locking Ring. Remove the hex head screws, lift up on the Lens holder and Locking Ring removing them from the Post. Refer to figure 8.

LN9101M Sled

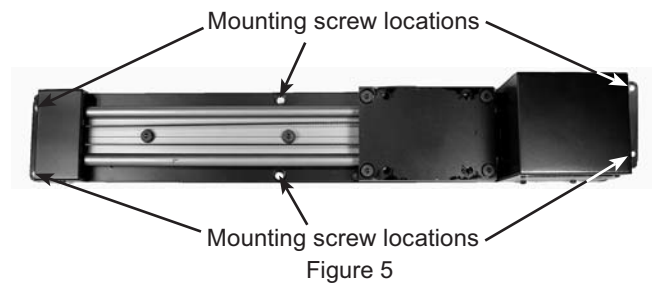


Figure 5

Plate 4 and LN9101M Sled

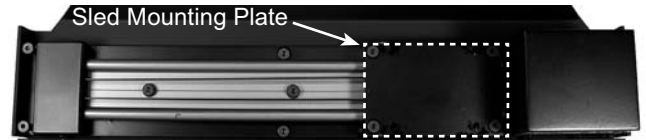


Figure 6

Lens Holder Assembly

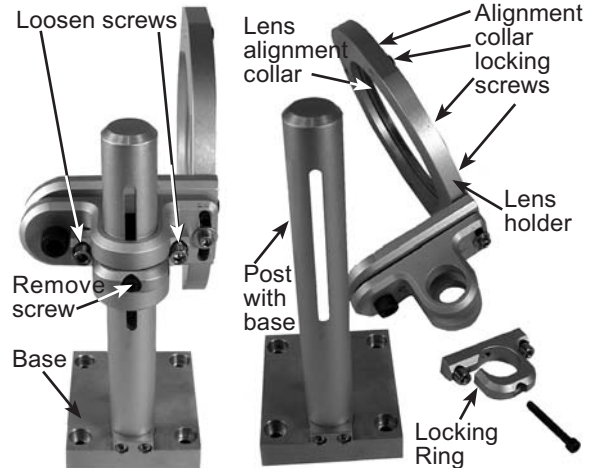


Figure 7

Figure 8

Notes: Set aside the Lens, Lens Holder and Locking Ring as they will be used after the VP-11 Projector/EXT10/MT20 have been installed and initial setup adjustment have been made. The actual Lens Holder Assembly is black in color. The above illustrations are shown for purposes of clarity.

4. Place the Lens Holder Base onto the LN9101M Sled Mounting Plate with the Lens Holder Post oriented to the right. Secure the Lens Holder Base with the four supplied M6x30mm machine screws. Refer to figures 6 and 9.

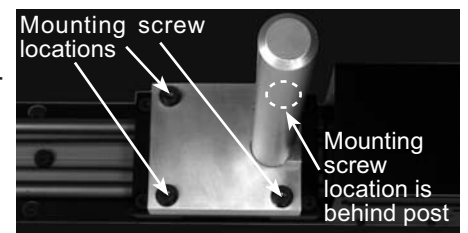


Figure 9

5. Set aside the just assembled LN9101M/Plate #4 for later use and proceed to the MT20 Assembly.

MT20 Assembly

Assemble the MT20 by performing the steps below, refer to figure 10:

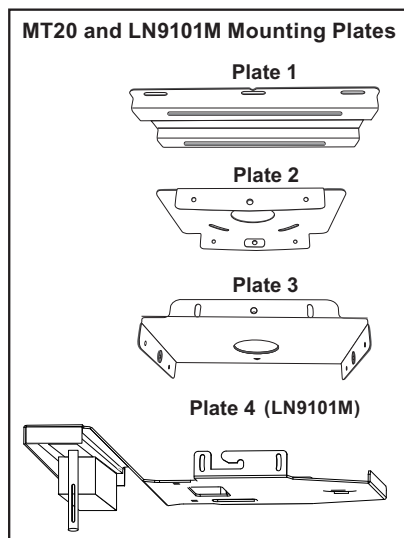


Figure 10

Notes: The MT20 hardware, fasteners, mounting template and parts list are located in a separate shipping carton from the projector. Plate #4 supplied with the LN9101M will be used instead of the MT20 Plate #4.

1. Insert Base Plate connectors #1 into the lateral positioning slots #3 from the underside of Plate 1. The lateral positioning slots will give you 2-1/4 inches of lateral adjustment for projector alignment. Refer to figure 11.

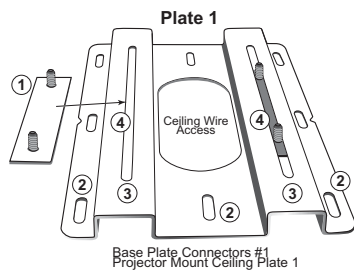


Figure 11

2. Base plate connector holes #3 provide 15 degrees of horizontal rotation adjustment. Attach horizontal adjustment Plate 2 to the projector mount ceiling Plate 1 using the four (4) 5/16-18 inch nuts and washers provided. Refer to figures 12 and 13.

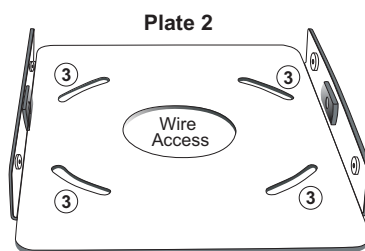


Figure 12

Note: When the EXT10 Extension Pole will be used, attach the "Outside Pole" end to

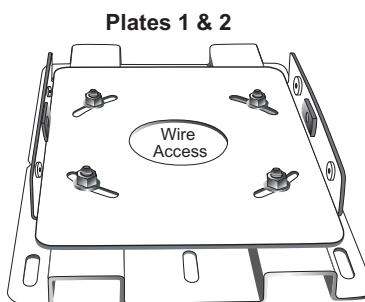


Figure 13

Plate #1 (instead of Plate #2) using four (4) 5/16-18 inch nuts and washers provided. Refer to figure 14.

3. Install the combined Plates #1 and #2 (or Plate 1 with the EXT10) securely to the Building Structure following all of the Local Building/Construction Codes. Use suitable hardware in adequate quantity and size depending on the installation requirements.

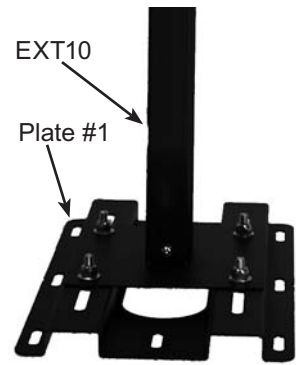
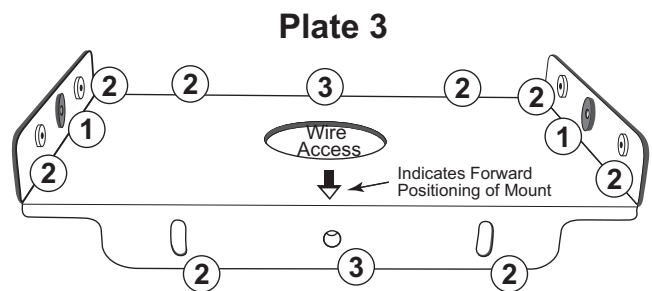


Figure 14

Caution: The Projector

together with the mounting brackets weighs 80 pounds (36.29 kg).

4. Attach the Horizontal Tilting Plate #3 to the previously combined plates (already installed on ceiling) using the 1/4-20 inch screws provided. Refer to Figures 15 and 16. Install two 1/4-20inch screws with rubber spacers and metal washers part way into the welded metal studs (indicated #1). The newly combined Plate 3 provides 10 degrees of horizontal tilt. After positioning the plate, loosely tighten the screws.



- ① Holes for 1/4-20 inch screws with rubber washer and steel washer
- ② Holes for 1/4-20 inch screws
- ③ Holes for 1/4-20 inch screws

Figure 15

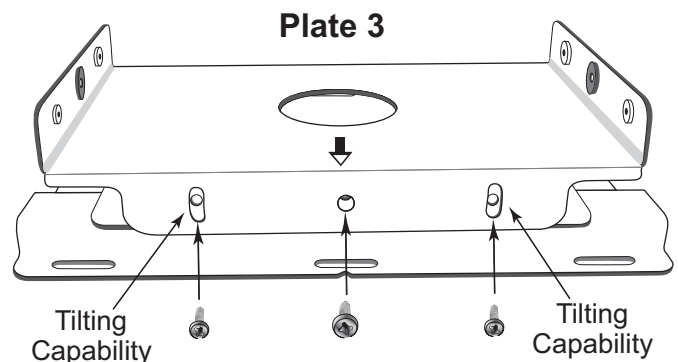


Figure 16

MT20 Assembly, con't

Note: When the EXT10 Extension Pole will be used, attach the "Inner Pole" end to Plate #3 (instead of Plate #2) using four (4) 5/16-18 inch nuts and washers provided.

Refer to figure 17.

- Invert the projector and place it on a soft, flat surface. Align the three 6mm mounting holes on the projector with the mounting holes on Plate #4 and the LN9101M Sled. Secure the bracket to the projector using the three 6mm screws. Refer to figures 18 and 19.

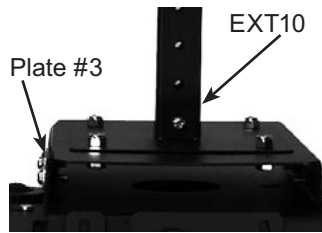


Figure 17

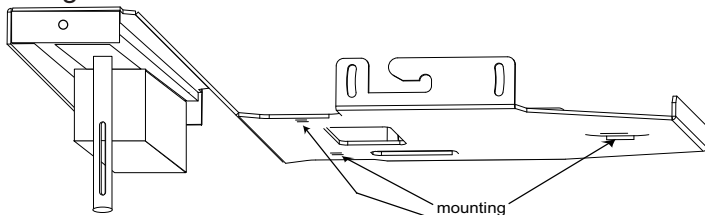


Figure 18

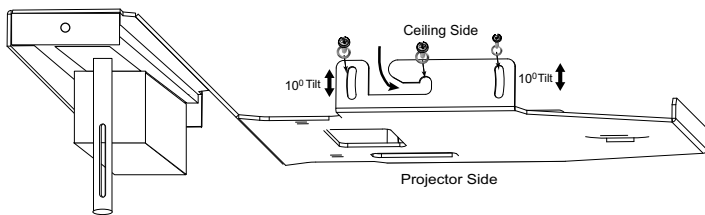


Figure 19

Caution: The Projector together with the mounting brackets weighs 80 pounds (36.29 kg). It requires two or more persons to safely complete assembly.

Lift and slide the projector onto the 1/4-20 inch screws previously installed in the metal studs of the plate on the ceiling (see arrow in Figure 19). Tighten the 1/4-20 inch screws on both sides of the mount and install four 1/4-20 inch screws and washers into the side of the projector Mounting Plate 4. Refer to figure 20 (or figure 21 when the EXT10 is used).

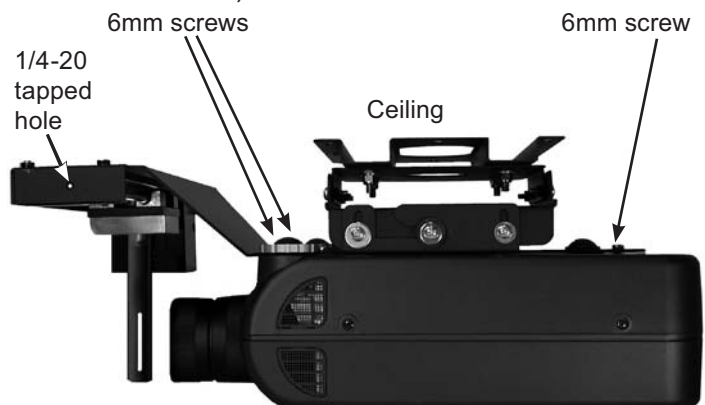


Figure 20

Note: For added horizontal stability 1/4-20 eye bolts may be screwed into either side of plate 4 with guide wires attached to the eye bolts. Refer to figures 20 and 21. For safety, the MT20/EXT10 is designed to support the weight of the LN9101M and VP-11 Projector without assistance from the eye bolts with guide wire.

- Before the LN9101M Lens can be installed and adjusted, it is important to first complete the Installation and Initial Settings of the VP-11 Projector. Refer to the User Guide of the VP-11 Projector and perform the necessary procedures. When the Installation and Initial Settings of the projector is complete, proceed to the LN9101M Lens Installation.

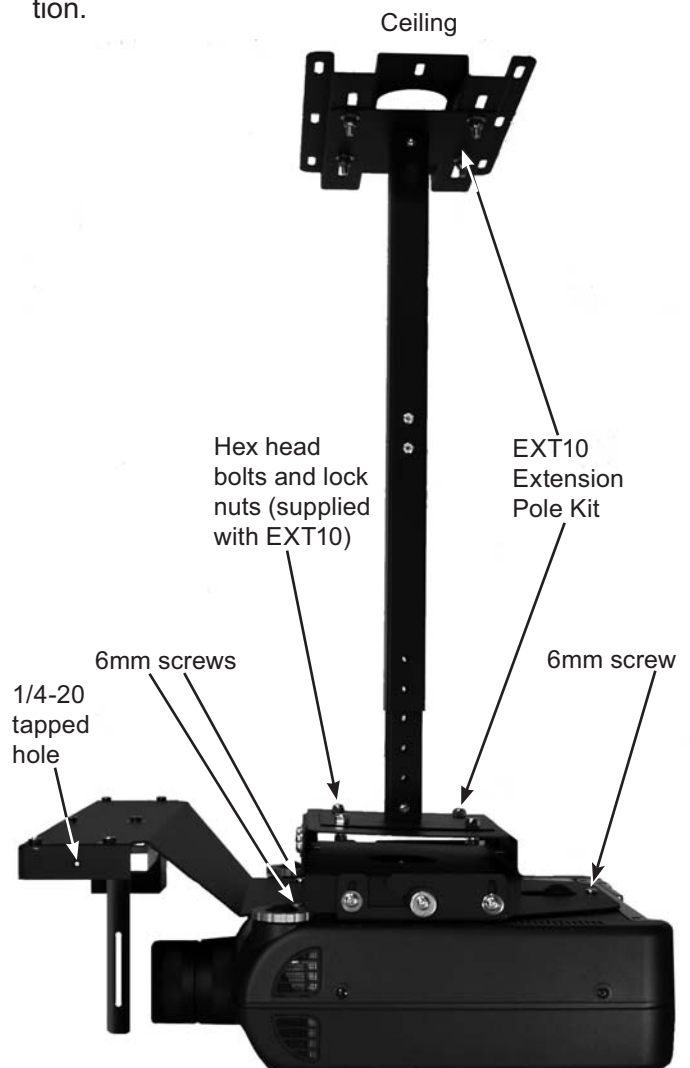


Figure 21

LN9101M Lens Installation

Install the LN9101M Lens to the already functioning Projector by performing the steps below:

- Locate the previously set aside LN9101M Lens and place it on a flat surface oriented with the small Lens Cover facing up. Refer to figure 22.
- Carefully remove the small cover from the Lens by screwing it counterclockwise, it will take multiple

turns. Place the removed cover in a safe place for possible future use.

3. The inner circumference of the Lens Holder is threaded to accept the Lens. **It is extremely important not to cross thread the Lens or Lens Holder when starting the fastening process and do not over tighten.** Refer to figure 23.



Figure 22

4. Orient the Lens Holder/Lens over the end of Lens Holder Mounting Post as illustrated in figures 24 and 25. Lower the Lens Holder/Lens onto the top of the post and insert the previously removed Locking Ring in between the two ring type parts of the Lens Holder as it is lowered onto the post.
5. While holding the Lens Holder/Lens about two



Figure 23

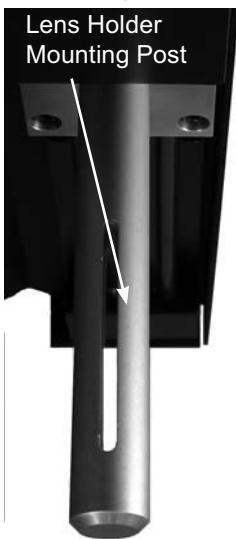


Figure 24



Figure 25

inches from the top on Lens Holder Post, insert the previously removed screw in the center of the Locking Ring and tighten. Also tighten the other two screws located either side of the center screw on the Lock Ring. Refer to figure 26.

Note: At this time, do not be overly concerned about the exact position of the Lens. The final Lens position will be set during the Lens Alignment procedure.

6. Remove the large Lens Cover from the front of the Lens by grasping both sides of the cover and pulling straight forward. Refer to figure 27.
7. Proceed to "Connecting the LN9101M".



Figure 26

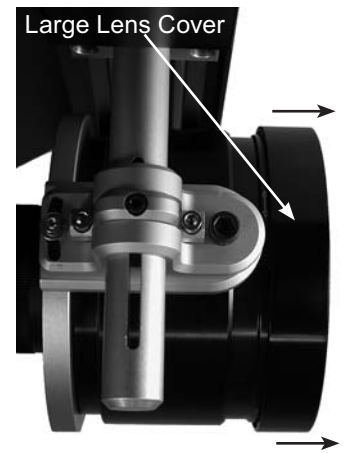


Figure 27

Connecting the LN9101M

Connecting the LN9101M to a Video System involves several connections. Perform the following steps:

1. Locate the external Power Supply (supplied with the LN9101M) and connect the plug on the end of the cable to the +9V Jack on the LN9101M Sled Connection Plate. Plug the Power Supply into an active AC Outlet. Refer to figure 28.
2. Connect a cable from the LN9101M +12V TRIGGER IN Jack to the Projector Trigger 2 Output Jack.
3. Optionally connect the supplied External IR Sensor to the LN9101M REMOTE IR IN Jack.
4. Proceed to the LN9101M Alignment.

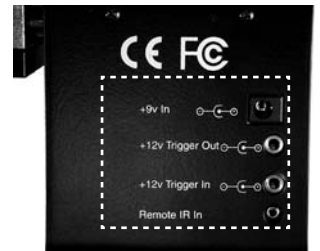


Figure 28

LN9101M Lens Alignment

Perform the following steps to align the LN9101M Lens to the projector:

1. Before the LN9101M Lens can be aligned it is important to complete the Initial Installation and Setup of the VP-11 Projector. Refer to the User Guide of the VP-11 Projector and perform the necessary procedures. Switch On the projector and activate the built in crosshatch test pattern.
2. Using the supplied LN9101M Remote Control press the ON Push-button while aiming the Remote Control at the Sensor. The Sensor and the Power On indicating LED are located on the Front Side of the LN9101M (opposite side of the connection area) above the Marantz Logo.

Note: When power is first applied, the LN9101M Sled may perform an initialization of the Lens position.

LN9101M Lens Alignment, con't

3. Press the LENS IN Push-button on the Remote Control and the Lens will travel to a position in front of the projector Lens. Verify the horizontal center of the LN9101M Lens coincides with the horizontal center of the projector Lens. If the LN9101M Lens doesn't line up, loosen the screws on the LN9101M Sled and slide the Top Adjustment Plate slightly to the left or right relative to Plate 4 to center the Lens. Tighten the screws. Refer to figures 4A, 4B, 4C and 5 on page 6.

Notes: The projected test pattern will probably have some forms of geometric distortions as a result of misalignment of the Anamorphic Lens to the projector. If a chattering noise is heard during sled movement, loosen all eight screws on the sled mounting plate, recycle the lens positions several times and then tighten the screws. Refer to figures 6 and 9 on page 6.

4. If the Test Pattern appears tilted on the screen loosen the four locking screws on the Lens alignment collar and rotate the Lens to straighten out the pattern. Then tighten the four locking screws. Refer to figure 8 on page 6.

*Notes: Inside the Lens close to the front are two vertical visible black masks. When the edge of those masks are parallel with the Lens Holder Post, the crosshatch should no longer be tilted. **Do not look directly into the Lens, look off from the side at an angle.***

5. Rotate the front part of the LN9101M Lens for the best focus.
6. Using the appropriate tools loosen the three screws on the Lens Holder Locking Ring while at the same time supporting the Lens on the bottom. Refer to figure 29.

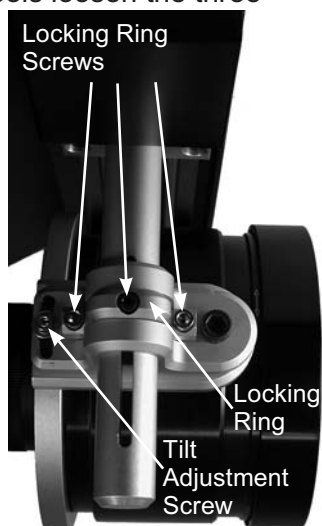


Figure 29

7. Adjust the height of the LN9101M Lens so its vertical center coincides with the center of the projector lens and the crosshatch pattern is centered vertically on the screen. Tighten the center screw on the Locking Ring and then rotate the LN9101M Lens left to right to center the crosshatch pattern horizontally on the screen. Then tighten the two screws previously loosened on the Locking Ring.
8. The final adjustment is for straighten out the lines of the crosshatch test pattern. Loosen the tilt ad-

justment screw located near the Lens Holder. The front of the LN9101M Lens can be pivoted up or down to straighten out the lines in the test pattern. Then tighten the screw to retain the position.

Note: If the screen used is not a curved anamorphic screen, some geometric distortion may be visible.

9. Proceed to Operation.

Operation

The Marantz VP-11 Projector is designed to automatically activate the LN9101M Lens when using the Remote Control supplied with the Projector. However, some of the Projector default settings must be changed for this to occur, perform the following steps:

1. Switch On the projector and press the MENU Push-button on the Remote Control.
2. Select the Conf. Menu option and then change the default "Trigger 2" settings to agree with the list below:
 - Trigger 2 Full - Off
 - Trigger 2 Normal - Off
 - Trigger 2 Zoom - Off
 - Trigger 2 V-stretch - On
 - Trigger 2 Through - Off
3. Exit the projector menu mode.
4. When an Anamorphic Source is viewed, press the ASPECT Ratio Push-button until the "V-STRETCH" Mode is selected using the Projectors' Remote Control. The LN9101M Lens will move into its active position (in front of the projector lens).
5. When viewing non Anamorphic Sources select one of the four other Aspect Ratios (Full, Normal, Zoom or Through) and the LN9101M Lens will move to its inactive position (no longer in front of the projector lens).

Specifications

Lens

1.33x (2.35:1 Cinemascope)

Motorized Sled Power Requirements

9-18V DC @ 0.5-1.5Amps

Power Supply Adapter

100 - 240 VAC @0.2Amps

Operating Temperature and Humidity

41 to 95°F (5 to 35°C), 30 to 85%

Overall Dimensions including Projector

Width is 22-1/2 inches (57.2cm)

Height is 9-13/16 inches (24.9cm)

Depth is 21-15/16 inches (55.7cm)

Weight

28 pounds (12.7 kg) net, 41 pounds (18.6 kg) in shipping carton

For U. S. A.

marantz®

Limited Warranty

Marantz America, Inc. ("Marantz") warrants the following Marantz Products for the periods indicated:

1. The following Marantz Audio/Video components, have a 3 year warranty for both Parts & Labor, from the original purchase date:

Amplifiers, Pre Amplifiers, Pre Amplifier-Processor- Tuners, Integrated Amplifiers, Tuners, Receivers, DVD Players, CD-Recorders, CD Players, Audio Cassette Decks, Learning Remote Control Devices, Universal Dock & DLP Front Projectors.

2. **Plasma Display Devices** have a 3 year warranty for labor, 2 years on parts and 1 year on the Panel from the original purchase date.
3. **Anamorphic Lens System** have a 2 year warranty for parts and labor from the original purchase date.
4. **DLP lamps** have a 90 day warranty for parts and labor from the original purchase date.

What is covered and what is not covered

Except as specified below, this warranty covers parts and labor to correct all defects in materials and workmanship. The following are not covered by the warranty:

1. Damage, deterioration, malfunction or failure to meet performance specifications resulting from:
 - a) Accident, acts of nature, misuse, abuse, neglect or unauthorized product modification.
 - b) Improper installation, removal or maintenance, or failure to follow instructions supplied with the product.
 - c) Repair or attempted repair by anyone not authorized by Marantz to repair the product.
 - d) Any shipment of the product (claims must be presented to the carrier).
 - e) Any cause other than a product defect.
2. Cleaning, initial set up, check ups with no defects found, or charges incurred for installation, removal or reinstallation of the product.
3. Any product on which the serial number has been defaced, modified or removed.
4. Batteries.
5. Accessories, including but not limited to, batteries, cables, mounting hardware and brackets, cleaning accessories, antenna and detachable power cords.
6. Warranty is void if purchase was made from any one other than an authorized Marantz dealer.

Who may enforce the warranty

Marantz America, Inc.

100 Corporate Drive
Mahwah, N.J. 07430-2041
Phone. 800-654-6633 Fax. 201-762-6695

This warranty may be enforced only by the original purchaser.

What we will pay for

We will pay for all labor and material expenses for items covered by the warranty. Payment of shipping charges is discussed in the next section of this warranty.

How you can get service

1. If your unit needs service, contact Marantz service referral by calling toll free **1-800-654-6633**. We will advise you of the name and location of one or more authorized Marantz service stations from which service can be obtained. Please do not return your unit to the factory without prior authorization.
2. You must pay any shipping charged if it is necessary to ship the product for service. However, if the necessary repairs are covered under warranty, we will pay the return shipping charges to any destination within the United States, its possessions or territories.
3. Whenever warranty service is required, you must present the original dated sales receipt or other proof of date of purchase.

Limitation of implied warranties

All implied warranties, including warranties of merchantability and fitness for a particular purchase, are limited in duration to the length of this warranty.

Exclusion of damages

Marantz liability for any defective product is limited to repair or replacement of the product at Marantz's option. Marantz shall not be liable for damage to other products caused by any defects in Marantz products, damages based upon inconvenience or loss of use of the product, or any other damages, whether incidental, consequential, or otherwise.

How state law relates to the warranty

Some states do not allow limitations on how long an implied warranty lasts and/or do not allow the exclusion or limitation of incidental or consequential damages, so the above limitations or exclusions may not apply to you.

This warranty gives you specific legal rights, and you may also have other rights which vary from state to state.

www.marantz.com

You can find your nearest authorized distributor or dealer on our website.

U. S. A. Marantz America, Inc. 100 Corporate Drive, Mahwah, NJ 07430, U. S. A.

marantz® is a registered trademark.